



Use 1710MKADA for single point horizontal latch or lift handle lockers.

Works on any locker where 1710 Series locks could be used.

Use 1714MKADA for single point horizontal latch or box lockers.

Works on any locker where 1714 Series locks could be used.

Use 1790MKADA for Wrap Around Latch™ lockers.

Works on any locker where 1790 Series locks could be used.

EXCLUSIVE FEATURES

- Two keys provided for each lock
- Keys and keyheads are replaceable
- Key code is visible inside keyhead
- Patent pending

Model 1710MKADA Exclusive Features

- Manual deadbolt locking for horizontal and lift handle latch lockers

Model 1714MKADA Exclusive Features

- Spring bolt locking mechanism available for box and single point latch lockers
- Patent pending

Model 1790MKADA Exclusive Features

- Designed to tolerate locker misalignment; easier installations and less adjustments for the life of the lock
- Automatic slam shut with secure deadbolt locking for Wrap Around Latch™ lockers
- Allows flexibility of adapting locker for ADA usage whenever needed
- New latch wraps around a latch plate offering the best and most secure single point latch engagement
- Patent Pending

Built-in Keyed Lock Advantages

- High security, 5-pin tumbler cylinder for superior pick resistance
- Concealed mounting & rugged metal case deter vandalism
- 1710MKADA and 1714MKADA fits both left handed and right handed doors
- Patent pending

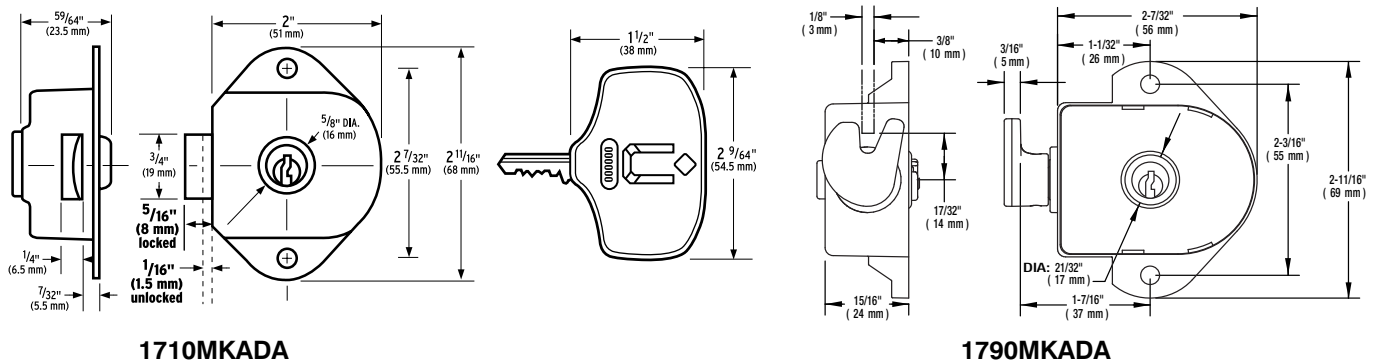


Additional Options

- Keyhead available individually, order #1710-43959
- Keyed alike, master keyed, non-master keyed, and group keyed options available to provide complete flexibility to match a facility's requirements
- When ordering master key system, order master key separation

DIMENSIONS

Required door thickness 0.03 - 0.125 in. (0.8 - 3.2 mm)



SPECIFICATIONS

Architectural Specifications: Locks shall be key-operated with 5 pin tumbler cylinder with individual, group, or master keying [specifier must choose keying option]. Two(2) keys, one(1) ADA blue key head, and mounting hardware shall be included with each lock. Specify Master Lock 1710ADA for horizontal deadbolt latching, Master Lock 1714ADA for horizontal spring bolt latching, or Master Lock 1790ADA for rotational deadbolt latching. For optional master keying, specify Master Lock 1710MKADA, Master Lock 1714MKADA, or Master Lock 1790MKADA. For optional group keying, specify Master Lock 1710GKADA, Master Lock 1714GKADA, or Master Lock 1790GKADA.



ADA Compliance Defined



The Master Lock 1600 ADA Series and 1700 ADA Series Built-in Locks meet the United States Department of Justice "2010 ADA Standards for Accessible Design". This Standard requires 5% of lockers meet ADA specifications. In addition, these standards state that operable parts, the locks, meet the following requirements:

- Shall be operable with one hand
- Shall not require tight grasping, pinching, or twisting of the wrist to operate
- Shall have a force required to activate of 5 lbf (22.2N) maximum

Master Lock ADA Compliant Locker Locks achieve these requirements through the use of a specially designed keyhead and the simple operation of the lock. The large flat keyhead makes the key easy to grip for those with extreme joint pain. For those with clenched fist dexterity, the flat keyhead fits securely between their fingers. The operation of the lock can be achieved by a simple bumping action to the ADA keyhead to both open and close the lock without the need of tight grasping, pinching, or twisting of the wrist.

Many of these locks are already in use in the field for ADA applications.

As needs and requirements vary, please consult the local authority regarding use of any of these locks for a specific application.



1600 ADA SERIES BUILT-IN COMBINATION LOCKS WITH STUDENT KEY/ MASTER KEY

Three-Ways-To-Open™ technology lock:

- Student key for ADA users (opens 1 lock)
- Master key for supervisors (opens all ADA locks in your system)
- Combination for use like other combo locks in your system (5 combinations built in for reuse year after year)

Black plastic dials standard. Metal dials available in black, green, purple, red or blue. Two keys with ADA keyheads included; order master keys separately. Left hand models available; see chart



1636MKADA
For Multi-Point Latch, Lift Handle Lockers

1656MKADA
For Single Point Horizontal Latch Lockers, Springbolt Operation

1676MKADA
For Single Point Horizontal Latch Lockers, Deadbolt Operation

1695MKADA
For Single-Point Wrap-Around-Latch Lockers



1700 SERIES BUILT-IN KEY ONLY LOCKS

- Simple and economical solution for lockers for those with special needs
 - Each includes two keys, one with large ADA key head.
- Order master keys separately.



1710MKADA
For Single-Point or Multi-Point Latch Lockers, Deadbolt Operation

1714MKADA
For Single-Point Latch Lockers, Springbolt Operation

1790MKADA
For Single-Point Wrap-Around-Latch Lockers



ADA Keyhead

1710-43959

Converts provided keys to meet ADA requirements

ADA Lock Selection Guide

Master Lock Product #	Locker Hinge Orientation	Reduced Physical Abilities	Reduced Cognitive Abilities	Same Function as Model
-----------------------	--------------------------	----------------------------	-----------------------------	------------------------



ADA COMPLIANT BUILT-IN LOCKER LOCKS

1636MKADA	Right Hand	*	*	1630
1637MKADA	Left Hand	*	*	1631
1656MKADA	Right Hand	*	*	1652
1651MKADA	Left Hand	*	*	1653
1676MKADA	Right Hand	*	*	1670
1677MKADA	Left Hand	*	*	1671
1695MKADA	Right Hand	*	*	1690
1710MKADA	Right or Left Hand	*	*	1710MK
1714MKADA	Right or Left Hand	*	*	1714MK
1790MKADA	Right Hand	*	*	1790MK



ADA INSPIRED PORTABLE LOCKER LOCKS

2650	Right or Left Hand	*	*	-
1525EZRC	Right or Left Hand	-	*	1525
2076	Right or Left Hand	*	-	-



ADA Inspired Defined

Master Lock ADA Inspired locks address special needs beyond those outlined in the "2010 ADA Standards for Accessible Design". These portable locks are designed to be easy to use and assist those with physical or cognitive challenges operate a lock independently. All ADA Inspired locks fit most standard lockers.



1525EZRC Simple Combos™

- Simple Combos™ – specially selected combinations that use only numbers printed on the dial (no sub-increments) so users can more easily recall and dial their combination
- Supervisory key override matches existing Master Lock portable systems, plus key can also be matched with many built-in combination lock systems
- Colored dials – black, green, purple, red, blue, orange, grey or gold, and customization with your logo or text available



2076 SmoothSpin™

- No-grip dial lets users simply rub to open – essential for those with difficulty turning dials
- Supervisory key override matches existing Master Lock portable systems, plus can be matched with many built-in combination lock systems
- Colored dials available – black, green, purple, red, and blue



2650 PushKey™

- Easy-to-open and simple-to-use – simply insert the key and pull down on the flared, easy-to-grip body to open (no key turning required)
- Includes four keys, two with large key head covers which makes gripping easy for anyone