

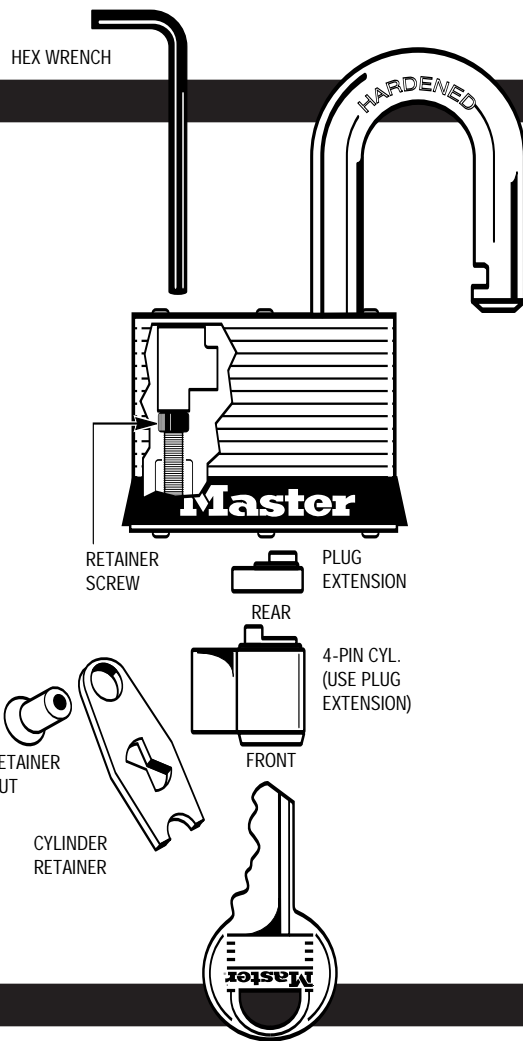
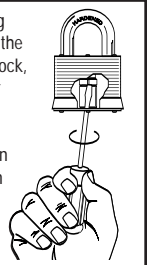
CYLINDER REPLACEMENT INSTRUCTIONS

1. Unlock padlock. Withdraw key. Turn shackle away from opening.
2. Insert hex wrench into shackle opening to engage socket screw.
3. Lift out retainer plate. Tip padlock to slide cylinder out.

TO REMOVE PRO SERIES SHACKLES, CLOSE SHACKLE, REMOVE CYLINDER EXTENSION AND BALL BEARING

TO INSTALL NEW CYLINDER, INSERT PROTRUDING END FIRST. RE-ASSEMBLE BY REVERSING ABOVE THREE STEPS.

NOTE: When using "WO" versions of the No. 21 or 27 padlock, use a screwdriver initially to open shackle. Insert tip through opening in bottom plate. Turn mechanism as shown to trip shackle release.

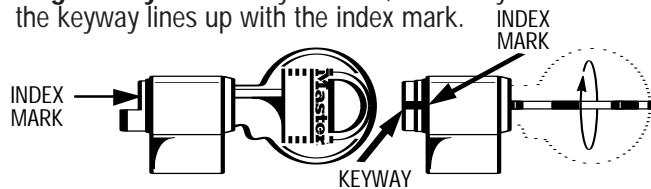


| | | | | | | | | | |
|---|--|---|---|--|---|---|---|-------------------------------------|--|
| SPOOL PIN order no. 6121-0419 | MASTER PIN No. 1 VIOLET order no. 1-0391 | MASTER PIN No. 2 RED order no. 1-0392 | MASTER PIN No. 3 BLUE order no. 1-0393 | MASTER PIN No. 4 YELLOW order no. 1-0394 | MASTER PIN No. 5 GREEN order no. 1-0395 | MASTER PIN No. 6 BROWN order no. 1-0396 | MASTER PIN No. 7 BLACK order no. 1-0397 | | |
| No. 0 PIN BLACK order no. 1-0360 | No. 1 PIN VIOLET order no. 1-0361 | No. 2 PIN RED order no. 1-0362 | No. 3 PIN BLUE order no. 1-0363 | No. 4 PIN YELLOW order no. 1-0364 | No. 5 PIN GREEN order no. 1-0365 | No. 6 PIN BROWN order no. 1-0366 | No. 7 PIN BLACK order no. 1-0367 | | |
| KEY CUT GAGES (order no. 290-0371) (order no. 290-0373) | | | New Style 6000 and 7000 DRIVER PIN order no. 0296-0323 | | SPOOL PIN order no. 0296-0322 | E CLIPS order no. 0296-0324 | DRIVER PIN MASTER order no. 7-0368 | | |
| CYLINDER ASSEMBLY TOOL (order no. 290-0372) | | | RETAINING NUT FOR #21 LOCK order no. 21-0373 | RETAINING NUT FOR #27 LOCK order no. 27-0373 | TRAP DOORS FOR #21 LOCK order no. 21-0372 #27 LOCK order no. 27-0371 | | TRAP DOORS FOR PRO SERIES order no. 6121-0420 order no. 6830-0023 | TUMBLER SPRINGS order no. 1-0369 | |
| ALLEN WRENCHES 3/32" (order no. 21-0374) 7/64" (order no. 27-0374) | | | RETAINING NUT PRO SERIES (ALL) order no. 6121-0421 | EXTENSION FOR 4 PIN CYLINDERS order no. 27-0334 | | | | | |

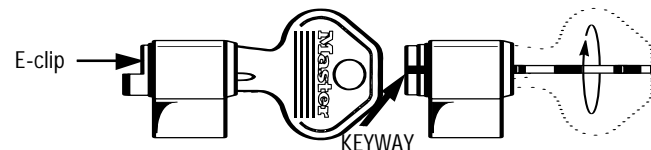
TO REORDER PARTS – Use order number shown in these listings; also include parts description (example "item no. 1-0360, No 0 Pin, black"). Pins and springs come packed in bags of 200; retaining doors, nuts, extensions and tools come packed in bags of 10. Specify quantity of bags needed.

CYLINDER REKEYING INSTRUCTIONS

1. **Original Style:** With key inserted, rotate key 90° clockwise until the keyway lines up with the index mark.

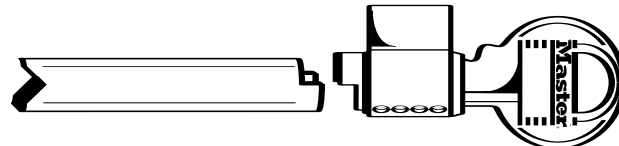


New Style: Remove E-clip, insert key and rotate 90° clockwise.

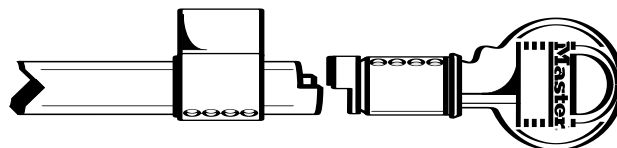


CAUTION: NEVER ROTATE KEYWAY 180°, AS PINS MAY BIND.

2. Hold cylinder with holes toward you. Line up cylinder assembly tool shoulder to shoulder with plug.



3. Carefully push plug out of cylinder with tool. (Tool should remain in cylinder shell to prevent driver pins from springing free.)



4. **REKEY THE PLUG WITH PINS SUITED TO NEW KEY CUT. THEN REASSEMBLE CYLINDER AS FOLLOWS**

With key inserted in cylinder plug, reverse steps 3 and 2 (carefully pushing plug back into cylinder shell and forcing tool out other end). Reinstall E-clip as required.

CAREFULLY ROTATE KEY BACK TO STARTING POSITION.

5. Cylinder is now rekeyed. Key can be withdrawn to permit installation of cylinder in padlock.

KEY SILHOUETTE IDENTIFICATION

