

# Laminated Rekeyable Service Procedure

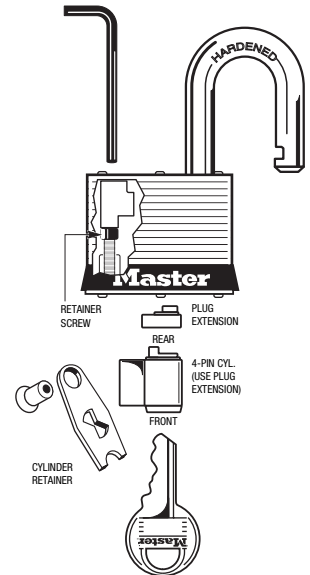
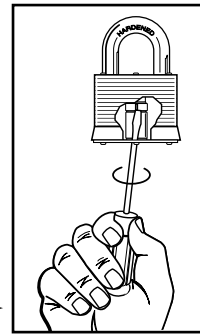
Padlock model numbers 21, 24, 25, 27 and 101 are laminated steel padlocks that have a trap door you can remove so that the cylinder may be exchanged or rekeyed. The model 24 has a laminated brass plate body.

## Cylinder Replacement Instructions

- Unlock padlock. Withdraw key.
- Turn shackle away from opening.
- Insert hex wrench into shackle opening to engage socket screw.
- Lift out retainer plate. Tip padlock to slide cylinder out.

To install new cylinder, insert protruding end first. Re-assemble by reversing above three steps.

NOTE: When using “WO” versions of the No. 21, 24, 25, 27 or 101 padlock, use a screwdriver initially to open shackle. Insert tip through opening in bottom plate. Turn mechanism as shown to trip shackle release.



All laminated padlock bodies may be ordered without shackles installed to allow you to stock the different length shackles and thereby reduce your inventory investment. Once a shackle has been installed and the kick plate hammered in place the shackle cannot be changed.

# Python™ Compatible Products Service Procedure

## REKEYABLE COUPLER LOCKS 34, 35, 37 & 39

The new rekeyable versions of the coupler locks may be identified by their dark gray or black color and have in them a Python™ cylinder that can be rekeyed using the 8491 keying kit following the instructions on page 21 of this manual. As with all Python™ cylinder products, use the removal tool when in the unlocked position to pull the plug from the lock body. If you don't have the removal tool, a hook pick can be used to retract the retainer tumbler at the back of the keyway.



### 379ATPY UNIVERSAL COUPLER LOCK

Two versions of the number 379 lock are available. Only the commercial version is rekeyable. The retail version is part number 379DAT, has a chrome finish and is not rekeyable. The commercial version has the same dark gray or black finish as the 34, 35, 37 & 39 models above and has the part number 379ATPY.

The cylinder plug in the 379ATPY uses the Python™ cylinder mechanism but the plug cannot be interchanged with other Python™ cylinders. As shown here, it has a rod like projection from the rear of the plug. Spare plugs may be ordered using part number 8401-0340.

