

Laminated Rekeyable Service Procedure

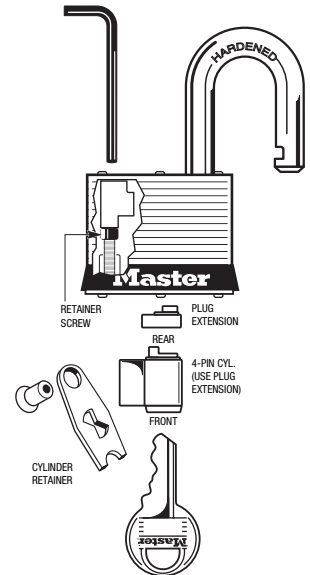
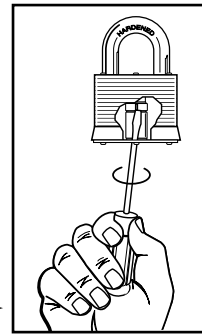
Padlock model numbers 21, 24, 25, 27 and 101 are laminated steel padlocks that have a trap door you can remove so that the cylinder may be exchanged or rekeyed. The model 24 has a laminated brass plate body.

Cylinder Replacement Instructions

- Unlock padlock. Withdraw key.
- Turn shackle away from opening.
- Insert hex wrench into shackle opening to engage socket screw.
- Lift out retainer plate. Tip padlock to slide cylinder out.

To install new cylinder, insert protruding end first. Re-assemble by reversing above three steps.

NOTE: When using “WO” versions of the No. 21, 24, 25, 27 or 101 padlock, use a screwdriver initially to open shackle. Insert tip through opening in bottom plate. Turn mechanism as shown to trip shackle release.



All laminated padlock bodies may be ordered without shackles installed to allow you to stock the different length shackles and thereby reduce your inventory investment. Once a shackle has been installed and the kick plate hammered in place the shackle cannot be changed.

Python™ Compatible Products Service Procedure

REKEYABLE COUPLER LOCKS 34, 35, 37 & 39

The new rekeyable versions of the coupler locks may be identified by their dark gray or black color and have in them a Python™ cylinder that can be rekeyed using the 8491 keying kit following the instructions on page 21 of this manual. As with all Python™ cylinder products, use the removal tool when in the unlocked position to pull the plug from the lock body. If you don't have the removal tool, a hook pick can be used to retract the retainer tumbler at the back of the keyway.



379ATPY UNIVERSAL COUPLER LOCK

Two versions of the number 379 lock are available. Only the commercial version is rekeyable. The retail version is part number 379DAT, has a chrome finish and is not rekeyable. The commercial version has the same dark gray or black finish as the 34, 35, 37 & 39 models above and has the part number 379ATPY.

The cylinder plug in the 379ATPY uses the Python™ cylinder mechanism but the plug cannot be interchanged with other Python™ cylinders. As shown here, it has a rod like projection from the rear of the plug. Spare plugs may be ordered using part number 8401-0340.



Python™ Compatible Products Service Procedure *continued*



It can be rekeyed using our 8491 Python™ keying kit and can be removed from the lock body with the standard Python™ plug removal tool. With the plug in the unlocked position fully insert the removal tool and then pull on the tool. If the plug doesn't come out immediately, wiggle the tool and then pull, the plug should be released and come out on the end of the tool.



In order to install the plug back into the housing some further disassembly is required.

At the far end of the plug there is a locking member with a square recess in it. Use a small screwdriver to push this locking member down and disengage it from the sliding bolt of the lock.



With the locking member pushed down, the sliding bolt can be removed from the lock completely. While holding the locking member down, use a finger to hold it in place from the top while reinserting the plug. The plug should have the removal tool in it and the rod extending from the back toward the bottom of the lock when inserted

As you can see here, the locking member is spring loaded and can jump out of position. Reinstalling it without distorting the spring takes a little patience and a pair of needle nose pliers.

If you remove the locking member from the lock body you must reinsert it with the opening up and then, when over the recess for it in the body, pivot the locking member so the opening faces the rear as shown here.

All keys for Python Mechanism products are the type with a plastic cover on the head of the key. If you need code information, you can typically find it stamped on the key head under the cover.

These are standard Master Lock key codes and you can see here that this one matches a code used in our number 3 lock. All Python mechanism locks use our number 1 key and can be KA to existing keys as long as they don't have a number 7 depth in them.

The 379ATPY can be ordered KD or KA to the same codes that were available for the 377 coupler lock.



3489 LOCKING BALL MOUNT

This lock uses the standard Python™ plug for the key cylinder. It may be removed in the unlocked position with the Python™ removal tool and rekeying may be accomplished using the 8491 keying kit.

When servicing, if the lock operates roughly because of road dirt buildup or other contaminants, remove the Python™ cylinder and press inward on the locking bolts while impacting the rear of the mount on a hard surface. The entire lock will slide out of the mount to allow cleaning and lubrication.