

1654 Series Built-in Combination Lock for Horizontal Latch Box Lockers



The 1654 Series is the most popular lock for multiple-tier and box lockers with pull or friction latch handles; it offers high security and convenient automatic locking.



EXCLUSIVE FEATURES

- Easy grip-and-pull, non-slip dial for one-handed operation
- Horizontal travel, standard length locking bolt retracts flush with lock body
- Spring bolt action for convenient, automatic locking
- Ideal for box or multiple-tiered lockers

Built-In Combination Lock Advantages

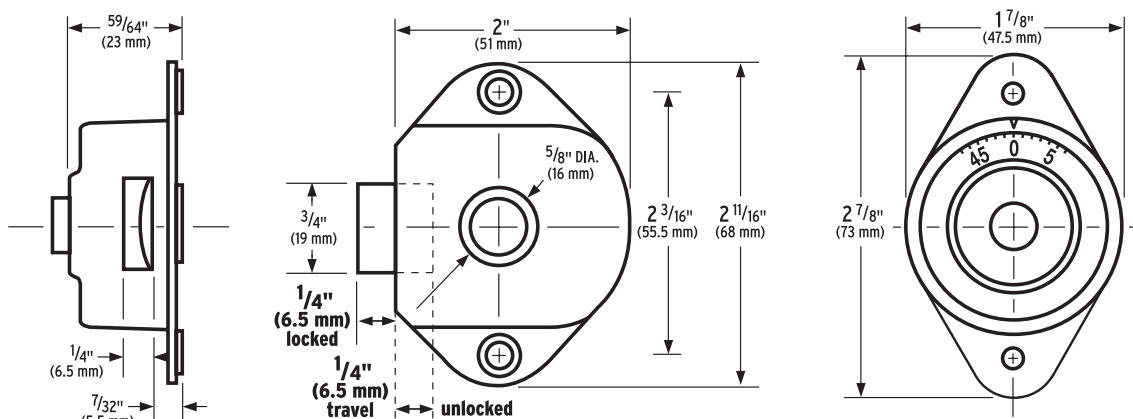
- Concealed mounting and rugged steel case deter vandalism
- Secure, three number combination is easy to dial
- Longer useful life with five different combinations – easily changed with the touch of a button, which maintains security for new students or employees
- End user registration and control charts provided to secure and simplify administration
- Standard key control allows quick supervisory access

Product Options

- Metal dial available to deter vandalism; order number 1654MD, 1655MD
- Brass escutcheon plate available to add an elegant appearance to wood locker doors; order number 1654BE or 1655BE
- Extension set available for doors with a thickness of 11/16" (17 mm) to 3/4" (19 mm); order number 1654-0320
- Model 1655 is available for left-handed doors
- Customize with a color – five colors to choose from.



DIMENSIONS



1654 shown. Required door thickness 0.03 - 0.125 in. (0.8 - 3.2mm)

SPECIFICATIONS

Architectural Specifications: Locks shall be built-in combination lock with horizontally operating spring bolt. Locks shall have textured, lipped dial design for easy-grip-and-pull operation. Locks shall have 5-pin tumbler cylinder for supervisory access. Locks shall have five (5) preset combinations. Locks shall have random combination change pattern; no sequentially adjacent locks shall have the same combination change pattern. Locks shall be supplied with printed Control Chart of serial numbers and combinations and text file on disc. Master Lock #1654 for lockers hinged on right. Master Lock #1655 for lockers hinged on left. For optional metal, easy-grip-and-pull dial with non-slip finish specify Master Lock #1654MD or #1655MD.