

Patent Pending

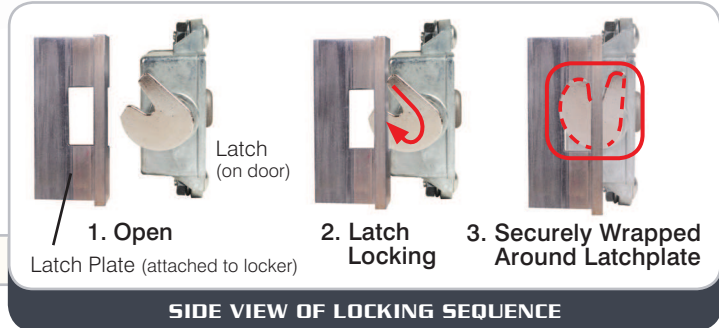


Enhanced security built-in keyed lock - the best lock for single point latch lockers!

FOR USE ON LOCKERS DESIGNED FOR 1690 OR 1790 SERIES LOCKS
Please consult your locker manufacturer

Uses same technology as automotive door lock systems

Wrap Around Latch™ Technology!



SIDE VIEW OF LOCKING SEQUENCE

EXCLUSIVE FEATURES

- Designed to tolerate locker misalignment making installation easier, and less likely to need adjustment over the life of the lock
- New latch wraps around a latch plate offering the best and most secure single point latch engagement
- Convenient, automatic slam-shut locking, combined with automatic and secure dead bolt locking

Product Options

- Keyed alike, master keyed and group keyed options available to provide complete flexibility to match a facility's requirements

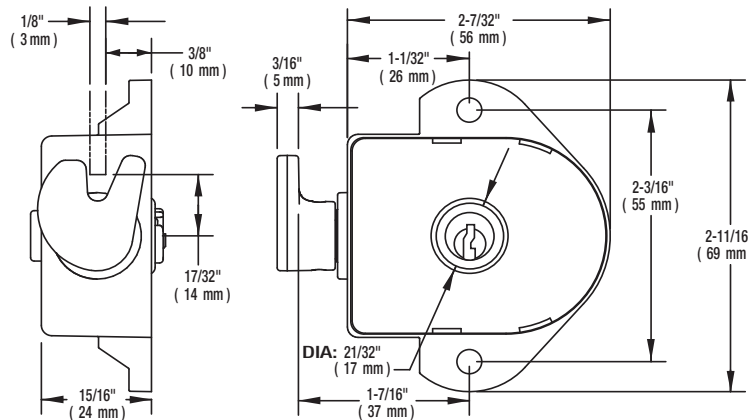
Built-in Keyed Lock Advantages

- Appropriate for lockers with multiple users who are assigned access for short time periods; i.e. at health clubs, gyms, and pools
- High security, 5-pin tumbler cylinder for superior pick resistance
- Concealed mounting and rugged metal case deter vandalism
- Two keys provided for each lock



ADA Compliant Lock Available as Model 1790ADA. See our website for more information.

DIMENSIONS



1790 shown. Required door thickness 0.02 - 0.188 in. (0.5 - 4.7 mm)

SPECIFICATIONS

Architectural Specifications: Locks shall be a built-in keyed lock with a rotational operating deadbolt latch that locks by wrapping around a stationary latch plate or post. Once locked, the latch shall not be moveable until the lock is properly opened. Locks shall be key-operated, with 5 pin tumbler cylinders with individual, group and master keying capabilities. Two (2) keys, per lock and mounting hardware shall be included with each lock.

For more information please contact us at 888-878-995 or visit us at www.masterlock.com/school

Patent Pending

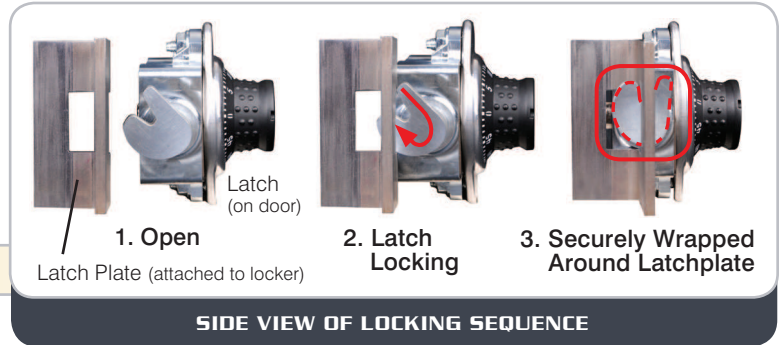


Uses same technology as automotive door lock systems

Wrap Around Latch™ Technology!

Enhanced security built-in combination lock - the best lock for single point latch lockers!

FOR USE ON LOCKERS DESIGNED FOR 1690 SERIES LOCKS
Please consult your locker manufacturer



EXCLUSIVE FEATURES

- Designed to tolerate locker misalignment making installation easier, and less likely to need adjustment over the life of the lock
- New latch wraps around a latch plate offering the best and most secure single point latch engagement
- Convenient, automatic slam-shut locking, combined with automatic and secure dead bolt locking

Built-in Combination Lock Advantages

- Concealed mounting and rugged steel case
- Automatic combination reset once door is shut.
- Secure, three number combination is easy to dial
- Longer useful life with five different combinations – easily changed with the touch of a button, which maintains security for new students or employees
- Standard key control allows quick supervisory access
- End user registration and control charts provided to secure and simplify administration

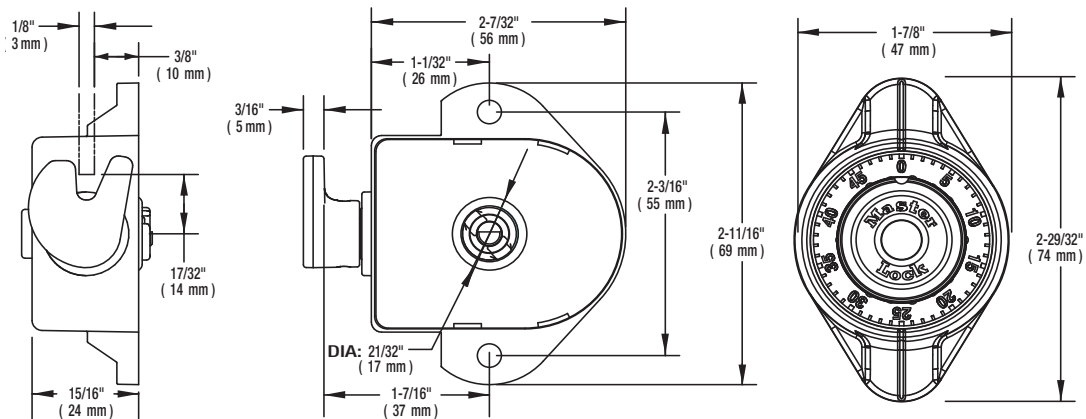
Product Options

- Metal dial available to deter vandalism; order number 1690MD
- Extension set available for doors with a thickness of 11/16" (17 mm) to 3/4" (19 mm); order number 1654-0320
- Customize with a color – five colors to choose from.



ADA Compliant Lock Available as Model 1695MKADA. See our website for more information.

DIMENSIONS



SPECIFICATIONS

Architectural Specifications: Locks shall be a built-in combination lock with a rotational operating deadbolt latch that locks by wrapping around a stationary latch plate or post. Once open, re-locking shall operate by simply shutting the door, with no further operator action to lock the lock. Once locked, the latch shall not be moveable until the lock is properly opened. Locks shall have textured lipped dial design for easy-grip-and -pull operation. Locks shall have a 5 pin tumbler cylinder for supervisory key access. Locks shall have five (5) preset combinations. Locks shall have a random combination change pattern; no sequentially adjacent locks shall have the same combination change pattern. Locks shall be supplied with both a printed Control Chart and disc, containing the serial numbers and combinations. Master Lock #1690 for lockers hinged on right. For optional one-piece metal dial with non-slip finish specify Master Lock #1690MD.