



## ADA Compliance Comparison Chart

Master Lock Product #	ADA Inspired			See Page
	Meets ADA Compliance*	Reduced Physical Abilities	Reduced Cognitive Abilities	
<b>BUILT-IN LOCKS</b>				
1636MKADA	✓	✓	✓	7
1695MKADA	✓	✓	✓	17
1710ADA	✓	✓	✓	18
1790ADA	✓	✓	✓	18
<b>PORTABLE LOCKS</b>				
2650™ PushKey		✓	✓	16
1525EZRC			✓	13
2076 SmoothSpin™		✓		12

## \*ADA Compliance Defined

Standards and building codes for ADA design are produced by various jurisdictions. However, the Federal Government has produced ADA guidelines under 28 CFR Part 36 "ADA Standards for Accessible Design", which typically act as the basis for these local standards and building codes and in any case represent the minimum requirements. These guidelines state the following requirements regarding locks for ADA use:

- Easy to grasp with one hand
- Does not require tight grasping, pinching, or twisting of the wrist to operate

Our line of built-in ADA compliant locks is offered with a special key specifically designed for easy grasping and manipulation meeting the above standards. This key has an oversized, flat, hard keyhead which allows loose grasping for those with joint pain, such as an arthritic condition. Or, the keyhead can be easily wedged between the fingers of a fist where limited finger dexterity exists, as may exist with cerebral palsy. Field experience has acknowledged the practicality of this design for these conditions in allowing one-handed ease of lock operation. Once this key is grasped, an upward/downward motion of the elbow provides the required approximate quarter arc turn motion to open the lock, while allowing the wrist to remain locked. In addition, the key turning force is designed to be below 5 lb. force. This operation meets the elements of the guidelines as stated above. Specifically applying to locker locks, this product and product operation meets the 28 CFR Part 36 and ANSI A117 standards, as described above. In practice, thousands of these locks are currently being used in the field in ADA applications.



ADA Inspired

## PushKey™ 2650 Series Portable Padlock

The Model 2650 PushKey™ is a groundbreaking portable lock. Simply insert key - no turning!



1 Insert Key

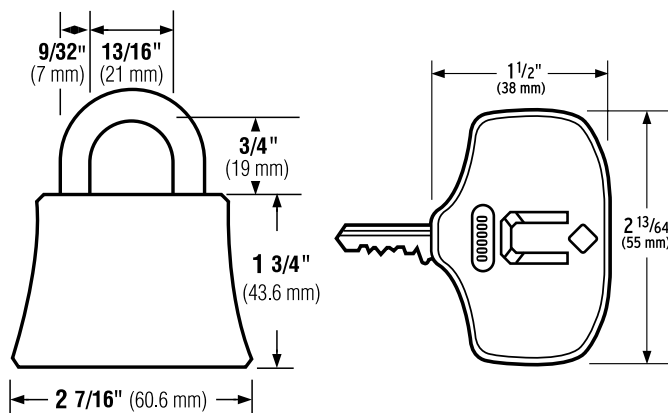


2 Let Go



3 Pull Down

## DIMENSIONS



## EXCLUSIVE FEATURES

- ADA Inspired - easy to use
- No key turning
- Flared lock body provides easy grip
- Less than 5 pounds of pull down force needed
- Fits most school lockers
- 4 keys included - 2 with large keyhead covers
- Exclusive key guide directs key to keyway

