

CUSTOM LASER ENGRAVING

S3650 Group Lock Box with Wall Mounting Bracket

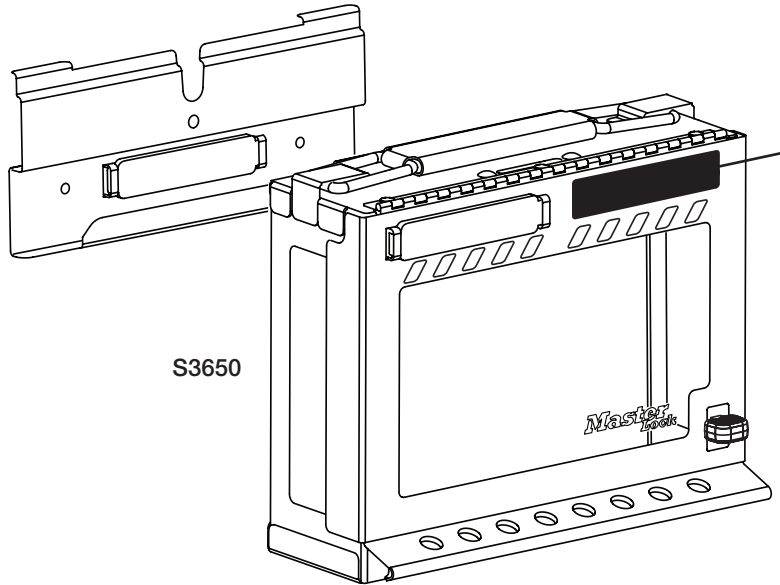
- Custom engraved aluminum tags can be added to your group lock box. Engraving is limited to letters and numbers; logos cannot be engraved.
- For orders with different text on each group lock box, please provide an Excel® spreadsheet with the information. Take note of the maximum number of characters for the selected line and provide the text so that each line does not exceed the maximum.
- Characters exceeding the maximum per line will not be engraved.
- Include this form with your order.
- The minimum order quantity for engraving is 10 group lock boxes. The current list price to engrave characters and/or numbers is \$2.05 per group lock box.

This is an Editable PDF file. Your custom information can be typed into the fields using Adobe Acrobat Reader software, which you can download for free at <http://get.adobe.com/reader/>. You can also save your data for future use.

CHOOSE GROUP LOCK BOX AND ENGRAVING TAG - PROVIDE ENGRAVING INFORMATION

Two lines of text available, engrave up to 15 characters per line.
Text will be centered on the tag

3/16" SIZE Arial is the Standard Font



ALTAGLZ1
Black, Anodized Aluminum Tag

CUSTOM ENGRAVING FORM MUST ACCOMPANY PURCHASE ORDER

End User Company Name:

End User Contact Person:

End User Address:

End User ID Number:

Distributor Name:

Distributor P.O. Number:

Quantity ordering: _____

(minimum initial order of 10 group lock boxes with tags)

www.masterlock.com

Master Lock Company LLC, Milwaukee, WI 53210 U.S.A. | 800-308-9244
Master Lock Canada, Mississauga, ON L5L 5Z9 Canada | 800-227-9599
© 2020 Master Lock Company | All Rights Reserved

7000-0625 | MO 01/20 PDF Only

**Master
Lock**