

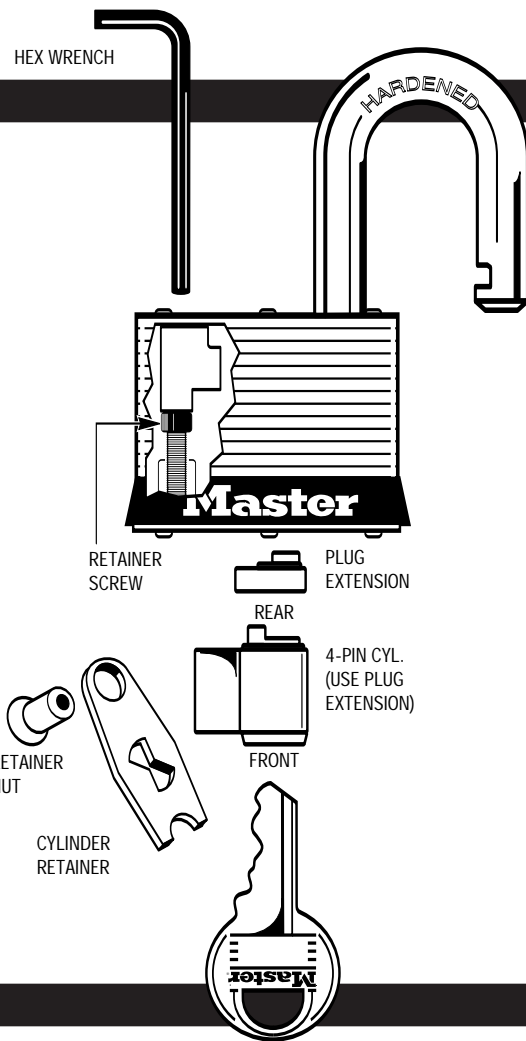
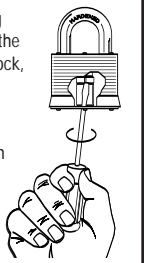
CYLINDER REPLACEMENT INSTRUCTIONS

1. Unlock padlock. Withdraw key. Turn shackle away from opening.
2. Insert hex wrench into shackle opening to engage socket screw.
3. Lift out retainer plate. Tip padlock to slide cylinder out.

TO REMOVE PRO SERIES SHACKLES, CLOSE SHACKLE, REMOVE CYLINDER EXTENSION AND BALL BEARING

TO INSTALL NEW CYLINDER, INSERT PROTRUDING END FIRST. RE-ASSEMBLE BY REVERSING ABOVE THREE STEPS.

NOTE: When using "WO" versions of the No. 21 or 27 padlock, use a screwdriver initially to open shackle. Insert tip through opening in bottom plate. Turn mechanism as shown to trip shackle release.

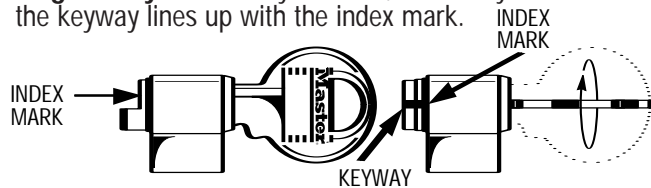


SPOOL PIN order no. 6121-0419	MASTER PIN No. 1 VIOLET order no. 1-0391	MASTER PIN No. 2 RED order no. 1-0392	MASTER PIN No. 3 BLUE order no. 1-0393	MASTER PIN No. 4 YELLOW order no. 1-0394	MASTER PIN No. 5 GREEN order no. 1-0395	MASTER PIN No. 6 BROWN order no. 1-0396	MASTER PIN No. 7 BLACK order no. 1-0397	
No. 0 PIN BLACK order no. 1-0360	No. 1 PIN VIOLET order no. 1-0361	No. 2 PIN RED order no. 1-0362	No. 3 PIN BLUE order no. 1-0363	No. 4 PIN YELLOW order no. 1-0364	No. 5 PIN GREEN order no. 1-0365	No. 6 PIN BROWN order no. 1-0366	No. 7 PIN BLACK order no. 1-0367	
KEY CUT GAGES (order no. 290-0371) (order no. 290-0373)			New Style 6000 and 7000 DRIVER PIN order no. 0296-0323 SPOOL PIN order no. 0296-0322 E CLIPS order no. 0296-0324		DRIVER PIN MASTER order no. 7-0368			
CYLINDER ASSEMBLY TOOL (order no. 290-0372)			RETAINING NUT FOR #21 LOCK order no. 21-0373 RETAINING NUT FOR #27 LOCK order no. 27-0373		TRAP DOORS FOR #21 LOCK order no. 21-0372 #27 LOCK order no. 27-0371		TRAP DOORS FOR PRO SERIES order no. 6121-0420 order no. 6830-0023	
ALLEN WRENCHES 3/32" (order no. 21-0374) 7/64" (order no. 27-0374)			RETAINING NUT PRO SERIES (ALL) order no. 6121-0421 EXTENSION FOR 4 PIN CYLINDERS order no. 27-0334		TUMBLER SPRINGS order no. 1-0369			

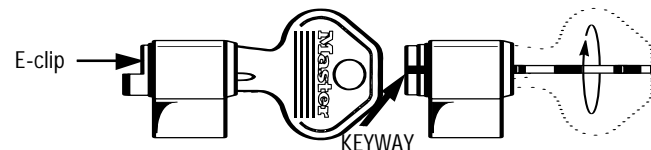
TO REORDER PARTS – Use order number shown in these listings; also include parts description (example "item no. 1-0360, No 0 Pin, black"). Pins and springs come packed in bags of 200; retaining doors, nuts, extensions and tools come packed in bags of 10. Specify quantity of bags needed.

CYLINDER REKEYING INSTRUCTIONS

1. **Original Style:** With key inserted, rotate key 90° clockwise until the keyway lines up with the index mark.

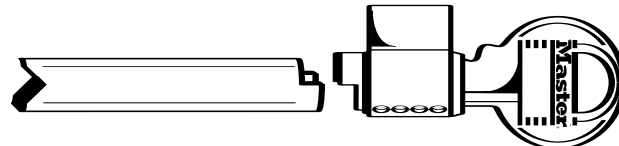


New Style: Remove E-clip, insert key and rotate 90° clockwise.

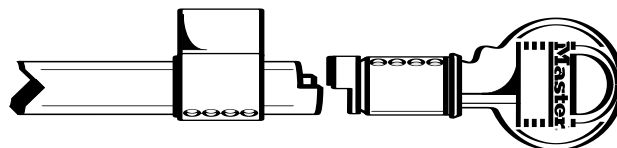


CAUTION: NEVER ROTATE KEYWAY 180°, AS PINS MAY BIND.

2. Hold cylinder with holes toward you. Line up cylinder assembly tool shoulder to shoulder with plug.



3. Carefully push plug out of cylinder with tool. (Tool should remain in cylinder shell to prevent driver pins from springing free.)



4. **REKEY THE PLUG WITH PINS SUITED TO NEW KEY CUT. THEN REASSEMBLE CYLINDER AS FOLLOWS**

With key inserted in cylinder plug, reverse steps 3 and 2 (carefully pushing plug back into cylinder shell and forcing tool out other end). Reinstall E-clip as required.

CAREFULLY ROTATE KEY BACK TO STARTING POSITION.

5. Cylinder is now rekeyed. Key can be withdrawn to permit installation of cylinder in padlock.

KEY SILHOUETTE IDENTIFICATION

