



S442 PLASTIC LOCKOUT HASP WITH 3MM SHACKLE

A reliable lockout hasp solution for smaller isolation points

The S442 plastic lockout hasp with 3mm shackle offers a smaller, nonconductive solution for organizations who need to keep equipment inoperative while repairs or adjustments are being made.

Thinner shackle for unique applications

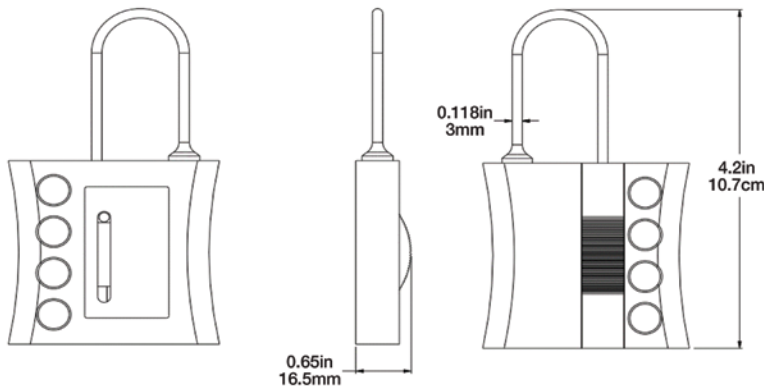
The Master Lock S442 plastic lockout sliding hasp was engineered with a thinner, spark-proof shackle to meet the demands of organizations who need to secure electrical panel enclosures with small isolation points.

- Made from highly durable, non-conductive plastic
- Thinner 3mm diameter plastic shackle
- Red body to increase visibility
- Accommodates up to 4 personal padlocks
- Includes labels in French, Spanish & English
- Optimal operating temperatures -10°C to 50°C



Specifications

Shackle Dia.	3 mm	Shackle Swing Ht.	48.5 mm
Height	10.7 cm	Weight	20 gr
Max. Width	16.5 mm	Tensile Force	22 kg



Visit <https://www.masterlock.eu/> for all Safety Lockout products

**Master
Lock**

www.masterlock.eu

Master Lock UK Sales Ltd,
Unit 26, M11 Business Link, Parsonage Lane,
Stansted, CM24 8GF,
United Kingdom

© 2024 Master Lock Company | All Rights Reserved.

See How
it Works

