

CB-12ML

Cash Box



- Steel construction provides added security
- Privacy Key
- Removable tray provides organization
- 

The Master Lock Cash Box has a convenient fold-away handle and removable tray for ease of use. Versatile storage and organization for both home and business.

---

**H x W x D**

CB-12ML

9.3cm x 30cm x 23.5cm

**x x**

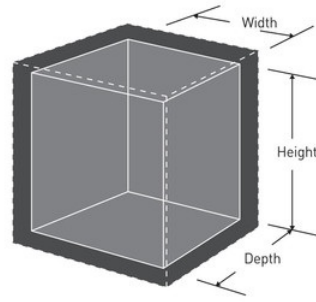
8.64 cm x 29.72 cm x 22.9 cm

5.91 L

2.1 kg

Retail Boxed Packaging, Retail Boxed Packaging

3



---

**Master Lock Europe S.A.S.**

10 avenue de l'arche - Le Colisée Gardens, bâtiment A - 92 400 Courbevoie - La Défense - France  
O:+33-1-41437200 | F:+33-1-41437204  
[www.masterlock.eu](http://www.masterlock.eu)