



Hover over image to zoom

# MODEL NO. 1695MKADAGR

ADA Compliant Built-In Combination Lock with Green Metal Dial for Wrap-Around-Latch™ Lockers - Hinged on Right

## BEST USED FOR



ADA Compliant



School, Employee & Health Club

## OVERVIEW & FEATURES

### Product Features

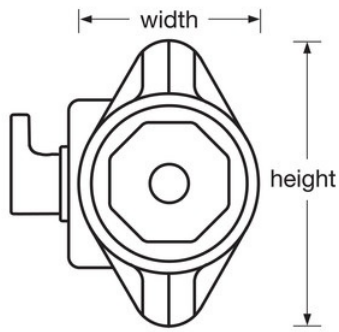
- U.S. Patent No. 7,984,630 and other U.S. and foreign patents-pending
- For single point wrap around latch lockers with hinges on the right, like patented 1690 Series. Wrap-Around Latch™ Technology makes locks more secure and extremely shim and pry resistant
- ADA Compliant - Meets United States Department of Justice "2010 ADA Standards for Accessible Design" requirements
- Comes with two keys with ADA keyheads; order master keys separately
- Helps mainstream students - matches the look of other locks in the system
- Flexible administration - assign locker for standard combination or ADA keyed use
- Longer useful life with 5 different pre-set combinations; easily changed to maintain security
- Green dial for school spirit and style. Also available in Red, Blue, Purple, and Black.

### Product Details

Compliant with ADA Standards, the Master Lock No. 1695MKADA Built-In Combination Lock series is designed for single point Wrap Around Latch™ lockers and features three ways to open with a student key, master key and combination for use like other combination locks in your system. These locks are designed for special needs students without looking different. As the ADA version for the 1690 series, these locks have five different pre-set combinations for a longer, useful life in your facility.

## PRODUCT SPECIFICATIONS

Product Number	1695MKADAGR
Description	Master Keyed, Keyed Different, Commercial Boxed Packaging
Master Carton Qty	50
Body Width	1-7/8in (48mm)
Exterior dimensions (H x W x D)	n/a (n/a) x 1-7/8in (48mmcm) x n/a (n/a)



Click image to zoom