



Hover over image to zoom

MODEL NO. 1710

Locker Lock

Built-In Manual Deadbolt Keyed Lock for Lift Handle, Single Point Horizontal Latch and Box Lockers

BEST USED FOR



School, Employee & Health Club

OVERVIEW & FEATURES

Product Features

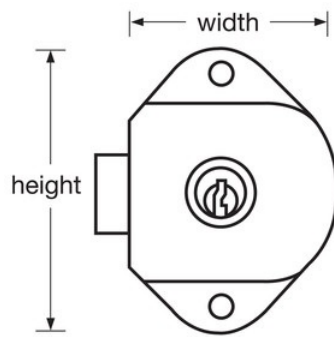
- Fits standard lift handle, single point horizontal latch and box lockers
- Manual deadbolt locking
- 5-pin tumbler cylinder for superior pick resistance
- Two keys provided with each lock
- End user registration assures key system integrity
- Available in Master Key, Group Key and Keyed Different Options
- Use Model 1710MKADA for ADA Applications
- Extension kit available for doors with a thickness of 17mm to 19mm

Product Details

Designed for horizontal and single point lockers with multiple users who are assigned access for short time periods, the Master Lock No. 1710 Built-In Keyed Lock features concealed mounting and a rugged steel case and fits both left-hand and right-hand hinged doors. With a manual deadbolt locking mechanism, these locks provide higher security and are ideal for ventilated and open mesh lockers. Two keys are provided for each lock. Keying options and ADA compliant models available.

PRODUCT SPECIFICATIONS

Product Number	1710
Description	Keyed Different, Commercial Boxed Packaging
Master Carton Qty	50
Body Width	2 in (51 mm)
Color	Silver



Click image to zoom