



Model No. 1690

Built-In Combination Lock for Single Point Wrap-Around-Latch™ Lockers - Hinged on Right

Best Used For:



School, Employee &
Health Club

Overview & Features

Product Features

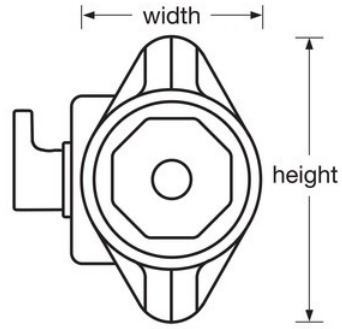
- Designed for single point, 1690/rotating latch lockers
- Automatic deadbolt locking
- U.S. Patent No. 7,984,630 and other U.S. and foreign patents-pending
- Secure, easy to dial 3-digit combination
- Longer useful life with 5 different pre-set combinations; easily changed to maintain security
- End user registration and control charts provided to secure and simplify administration
- Customize with optional color metal dials. Choose from Red, Blue, Green, Purple or Black. See Catalog for details.
- Use Model 1695MKADA for ADA Applications
- Extension kit available for doors with a thickness of 11/16in (17mm) to 3/4in (19mm)

Product Details

Offering the highest security, the Master Lock No. 1690 Built-In Combination Lock is designed for single point Wrap Around Latch™ lockers and is intended to tolerate locker misalignment making installation easier. New stylish, octagonal dial with larger dial numbers provides easy grip and standard key control, used for combination changes, allows quick supervisory access. Five different pre-set combinations provide longer, useful life in your facility. Customization options are available along with ADA compliant models.

Product Specifications

Product Number	1690
Body Width	48mm
Colour	Gray
Description	Control Key, Commercial Boxed Packaging
Master Carton Qty	50



Master Lock Europe S.A.S.

10 avenue de l'arche - Le Colisée Gardens, bâtiment A - 92 400 Courbevoie - La Défense - France
O:+33-1-41437200 | F:+33-1-41437204
www.masterlock.eu