



Model No. 1690MDBLU

Built-In Combination Lock with Blue Metal Dial for Single Point Wrap-Around-Latch™ Lockers - Hinged on Right

Best Used For:



School, Employee & Health Club

Overview & Features

Product Features

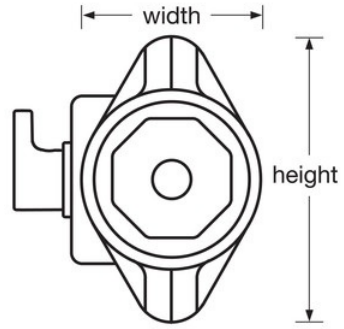
- Designed for single point, 1690/rotating latch lockers
- Automatic deadbolt locking
- U.S. Patent No. 7,984,630 and other U.S. and foreign patents-pending
- Blue dial enhances school spirit, complements décor. Also available in Red, Green, Purple, and Black
- Metal dial provides increased strength and security
- Secure, easy to dial 3-digit combination
- Longer useful life with 5 different pre-set combinations; easily changed to maintain security
- End user registration and control charts provided to secure and simplify administration
- Extension kit available for doors with a thickness of 11/16in (17mm) to 3/4in (19mm)

Product Details

Offering the highest security, the Master Lock No. 1690 Built-In Combination Lock is designed for single point Wrap Around Latch™ lockers and is intended to tolerate locker misalignment making installation easier. New stylish, octagonal dial with larger dial numbers provides easy grip and standard key control, used for combination changes, allows quick supervisory access. Five different pre-set combinations provide longer, useful life in your facility. Customization options are available along with ADA compliant models.

Product Specifications

Product Number	1690MDBLU
Body Width	48mm
Colour	Blue
Description	Control Key, Commercial Boxed Packaging
Master Carton Qty	50



Master Lock Europe S.A.S.

10 avenue de l'arche - Le Colisée Gardens, bâtiment A - 92 400 Courbevoie - La Défense - France
O:+33-1-41437200 | F:+33-1-41437204
www.masterlock.eu