



## Model No. 1690MDGRN

Built-in combination lock with green metal dial for single point wrap-around-latch™ lockers - hinged on right

### Best Used For:



School, Employee, &  
Athletic Lockers

## Overview & Features

### Product Features

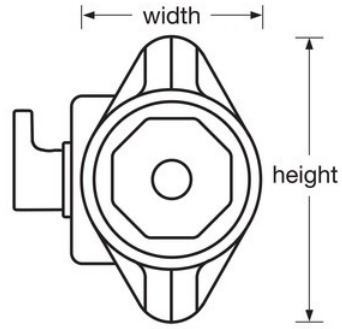
- Designed for single point, 1690/rotating latch lockers
- Automatic deadbolt locking
- U.S. Patent No. 7,984,630 and other U.S. and foreign patents-pending
- Blue dial enhances school spirit, complements décor. Also available in Red, Green, Purple and Black
- Metal dial provides increased strength and security
- Secure, easy to dial 3-digit combination
- Longer useful life with 5 different pre-set combinations; easily changed to maintain security
- End user registration and control charts provided to secure and simplify administration
- Extension kit available for doors with a thickness of 17mm to 19mm

### Product Details

The Master Lock No. 1690MDGRN Built-In Combination Lock is designed for single point Wrap Around Latch™ lockers and is intended to tolerate locker misalignment making installation easier. New stylish octagonal dial with larger dial numbers provides easy grip and standard key control, used for combination changes, allows quick supervisory access. Five different pre-set combinations provide longer, useful life in your facility. Customization options are available along with ADA compliant models.

# Product Specifications

<b>Product Number</b>	1690MDGRN
<b>Body Width</b>	47mm
<b>Colour</b>	Green
<b>Description</b>	Control Key, Commercial Boxed Packaging
<b>Master Carton Qty</b>	50



---

## Master Lock Europe S.A.S.

10 avenue de l'arche - Le Colisée Gardens, bâtiment A - 92 400 Courbevoie - La Défense - France  
O:+33-1-41437200 | F:+33-1-41437204  
[www.masterlock.eu](http://www.masterlock.eu)