

Model No. CHW30300EURHRO

Large security chest



### Best Used For:



A4 Paper Documents



Fire



Flood



Pictures



Small Electronics



Storage Devices,  
USB Flash Drives

## Overview & Features

## Product Features

- Fire and water resistant construction
- UL/ETL verified 30 minutes fire protection for documents, official papers, as well as digital items (CD, USB sticks) up to 843°C
- ETL verified for water submersion to protect documents and other valuable items from flood damage
- Programmable digital combination: 1 resettable combination + 1 Master combination (non programmable)
- Digital lock keeps documents and valuables away from prying eyes and prevents the lid from opening in the event of a fire
- Fits A4 documents

## Certifications

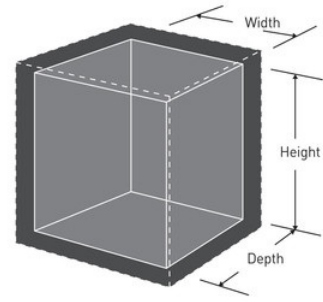


## Product Details

The Master Lock No. CHW30300EURHRO Large Digital Security Chest protects your family's most important paper documents (fits A4 paper size), media, and valuables from fire and flood damage.

# Product Specifications

<b>Product Number</b>	CHW30300EURHRO
<b>Exterior dimensions (H x W x D)</b>	19.3cm x 41.9cm x 37.5cm
<b>Interior dimensions (H x W x D)</b>	2.54 cm x 2.54 cm x 2.54 cm
<b>Colour</b>	Gray
<b>Description</b>	Retail Boxed Packaging
<b>Master Carton Qty</b>	1



---

## Master Lock Europe S.A.S.

10 avenue de l'arche - Le Colisée Gardens, bâtiment A - 92 400 Courbevoie - La Défense - France  
O:+33-1-41437200 | F:+33-1-41437204  
[www.masterlock.eu](http://www.masterlock.eu)