

Model No. H0100EURHRO

Small security chest



Best Used For:



Cheque Books



Fire



Flood



Pictures



Small Electronics



Storage Devices,
USB Flash Drives

Overview & Features

Product Features

- Fire and water resistant construction
- UL/ETL verified 30 minutes fire protection for documents, official papers, as well as digital items (CD, USB sticks) up to 843°C
- ETL verified for water submersion to protect documents and other valuable items from flood damage
- Key lock - includes 2 keys
- Carrying handle

Certifications

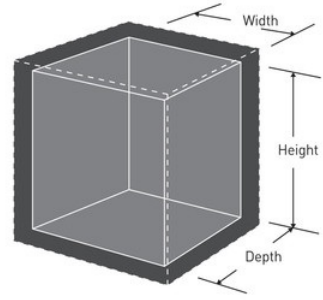


Product Details

The Master Lock No. H0100EURHRO Small Security Chest protects your family's most important paper documents, media, and valuables from fire and flood damage. The integrated handle make the chest easy to carry.

Product Specifications

Product Number	H0100EURHRO
Exterior dimensions (H x W x D)	15.6cm x 36.2cm x 33cm
Colour	Black
Description	Retail Boxed Packaging
Master Carton Qty	1



Master Lock Europe S.A.S.

10 avenue de l'arche - Le Colisée Gardens, bâtiment A - 92 400 Courbevoie - La Défense - France
O:+33-1-41437200 | F:+33-1-41437204
www.masterlock.eu