

Model No. KB-25ML

Key Box

Best Used For:



Keys

Overview & Features

Product Features

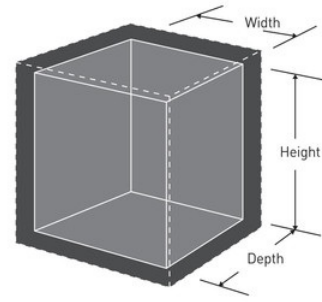
- Steel construction provides added security
- Privacy Key
- Mounting hardware included for additional protection
- Includes 25 key tags and labels for quick easy access to keys

Product Details

The Master Lock Key Box provides organization and security for keys at home or for business. Color-coded tags and labels make finding and returning your keys quick and easy. Mounting hardware included.

Product Specifications

Product Number	KB-25ML
Exterior dimensions (H x W x D)	25cm x 18.8cm x 8.5cm
Interior dimensions (H x W x D)	24.38 cm x 15.49 cm x 4.4 cm
Interior Volume	1.65 L
Weight W/o Packaging	1.2 kg
Colour	Black
Description	Retail Boxed Packaging, Retail Boxed Packaging
Master Carton Qty	3



Master Lock Europe S.A.S.

10 avenue de l'arche - Le Colisée Gardens, bâtiment A - 92 400 Courbevoie - La Défense - France
O:+33-1-41437200 | F:+33-1-41437204
www.masterlock.eu