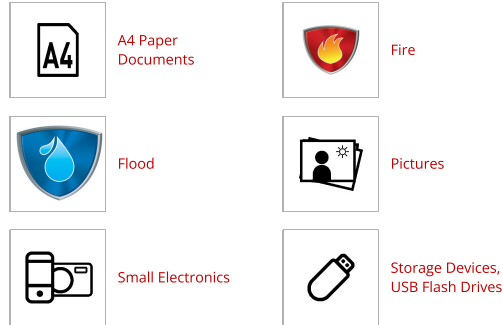


Model No. LCFW30100

Large security chest



Best Used For:



Overview & Features

Product Features

- Fire and water resistant construction
- UL/ETL verified 60 minutes fire protection for documents, official papers, as well as digital items (CD, USB sticks) up to 927°C
- ETL verified for water submersion to protect documents and other valuable items from flood damage
- Key lock - includes 2 keys
- Privacy key lock keeps documents and valuables away from prying eyes and prevents the lid from opening in the event of a fire
- Fits A4 documents

Certifications

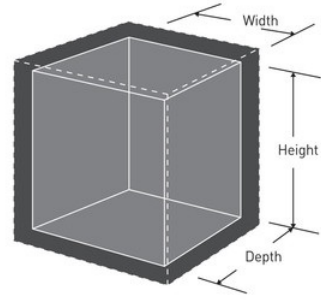


Product Details

The Master Lock No. LCFW30100 Large Security Chest protects your family's most important paper documents (fits A4 paper size), media, and valuables from fire and flood damage.

Product Specifications

Product Number	LCFW30100
Exterior dimensions (H x W x D)	19.3cm x 41.9cm x 37.5cm
Interior dimensions (H x W x D)	13.56 cm x 32.11 cm x 23.19 cm
Interior Volume	10 L
Weight W/o Packaging	14.1 kg
Colour	Gray
Description	Retail Boxed Packaging
Master Carton Qty	1



Master Lock Europe S.A.S.

10 avenue de l'arche - Le Colisée Gardens, bâtiment A - 92 400 Courbevoie - La Défense - France
O:+33-1-41437200 | F:+33-1-41437204
www.masterlock.eu