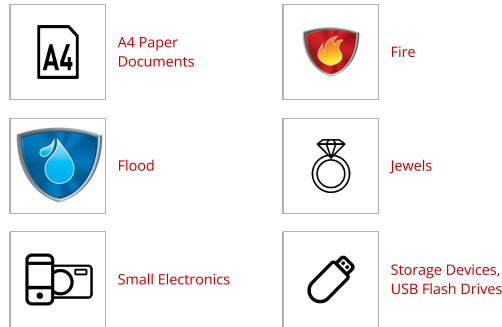




Model No. LFW123FTC

Extra large security digital combination safe

### Best Used For:



## Overview & Features

### Product Features

- Steel construction with fire and water protection
- 4 large, live locking bolts of 2,5cm diameter and pry resistant hinge bar for a higher level of resistance
- UL/ETL verified 60 minutes fire protection for documents, official papers, as well as digital items (CD, USB sticks) up to 927Å°C
- ETL verified water protection up to 20cm for 24 hours to protect documents and other valuable items from flood damage
- ETL verified to withstand a 4,5-meter drop during a fire and stay closed
- Programmable digital combination with backlit keypad for an easy use even in dark places: 2 resettable combinations + 1 Master combination (non programmable)
- Interior light, multi-position tray and built-in storage on the door
- Bolt down hardware included

### Certifications

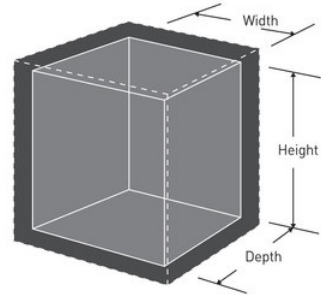


### Product Details

The Master Lock No. LFW123FTC Extra Large Security Digital Combination Safe is designed to protect documents, digital media and other valuables from fire, water, and theft. 60% bigger bolts than traditional safes and pry-resistant hinge bar provide additional security against unauthorized access.

# Product Specifications

<b>Product Number</b>	LFW123FTC
<b>Exterior dimensions (H x W x D)</b>	45.3cm x 41.5cm x 49.1cm
<b>Colour</b>	Black
<b>Description</b>	Retail Boxed Packaging
<b>Master Carton Qty</b>	1



---

## Master Lock Europe S.A.S.

10 avenue de l'arche - Le Colisée Gardens, bâtiment A - 92 400 Courbevoie - La Défense - France  
O:+33-1-41437200 | F:+33-1-41437204  
[www.masterlock.eu](http://www.masterlock.eu)