



Model No. LFW205TWC
XX-Large security digital alarm safe

Best Used For:



A4 Paper Documents



Fire



Flood



Jewels



Laptop Computers



Storage Devices,
USB Flash Drives

Overview & Features

Product Features

- Steel construction with fire and water protection
- 6 large, live locking bolts of 2,5cm diameter and pry resistant hinge bar for a higher level of resistance.
- Loud audible alarm sounds when there is an attempt to move or force open the safe
- UL/ETL verified 60 minutes fire protection for documents, official papers, as well as digital items (CD, USB sticks) up to 927°C
- ETL verified water protection up to 20cm for 24 hours to protect documents and other valuable items from flood damage
- ETL verified to withstand a 4,5-meter drop during a fire and stay closed
- Programmable digital combination with touchscreen for an easy use even in dark places: 2 resettable combinations + 1 Master combination (non programmable)
- Interior light, deep tray, adjustable shelf and built-in storage on the door
- Bolt down hardware included

Certifications

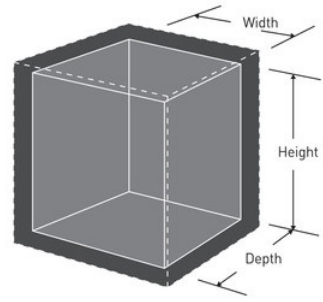


Product Details

The Master Lock No. LFW205TWC XX-Large Security Digital Alarm Safe is designed to protect documents, digital media and other valuables from fire, water, and theft. Equipped with touch keypad and a loud audible alarm, this safe provides modern advancements to protect against theft. 60% bigger bolts than traditional safes and pry-resistant hinge bar provide additional security against unauthorized access.

Product Specifications

Product Number	LFW205TWC
Exterior dimensions (H x W x D)	60.3cm x 47.2cm x 49.1cm
Colour	Black
Description	Retail Boxed Packaging
Master Carton Qty	1



Master Lock Europe S.A.S.

10 avenue de l'arche - Le Colisée Gardens, bâtiment A - 92 400 Courbevoie - La Défense - France
O:+33-1-41437200 | F:+33-1-41437204
www.masterlock.eu