

Model No. MLD08EB

Small quick access compact fingerprint safe



Best Used For:



Cheque Books



Jewels



Money



Passports



Small Electronics

Overview & Features

Product Features

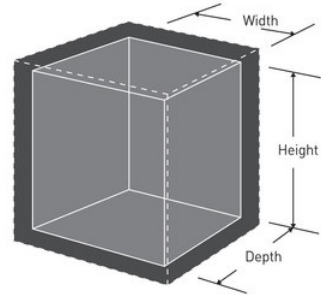
- Solid steel construction
- Invisible hinges for a higher level of resistance and a protection against prying attempts
- Fingerprint opening and resettable digital combination with override key - includes 2 keys
- Quiet entry with compression gas strut: the lid opens automatically and stays in opened position
- Bottom of the safe covered with foam and removable fleece-covered tray
- Bolt down hardware included

Product Details

The Master Lock No. MLD08EB Quick Access Compact Fingerprint Safe is ideal for protecting small but precious valuables and electronics. The fingerprint lock combined with the compression gas strut give a quick and convenient access to its content. The interior tray provides added organization for your valuables.

Product Specifications

Product Number	MLD08EB
Exterior dimensions (H x W x D)	8.1cm x 30.7cm x 25.1cm
Colour	Black
Description	Retail Boxed Packaging
Master Carton Qty	1



Master Lock Europe S.A.S.

10 avenue de l'arche - Le Colisée Gardens, bâtiment A - 92 400 Courbevoie - La Défense - France
O:+33-1-41437200 | F:+33-1-41437204
www.masterlock.eu