

Model No. P005CEURBLKHRO

Small portable combination lock box



#### Best Used For:



Money



Passports



Small Electronics

## Overview & Features

### Product Features

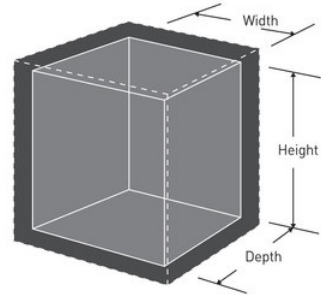
- Steel construction
- Steel tethering cable to secure the lock box to a immovable object
- Resettable 3-digit combination
- Inside of the box covered with soft lining
- Cable: 90cm x ø 4mm

### Product Details

The Master Lock No. P005CEURBLKHRO Small Portable Combination Lock Box is the perfect solution for “on-the-go” security. Ideal for cars, vans, uni, campers, boats or trips to the beach. It is designed to secure mobile phones, wallets, MP3 players, and other compact but expensive equipment that are especially vulnerable to theft. Bring it. Lock it. Leave it.

# Product Specifications

|  |                        |
|--|------------------------|
| <b>Product Number</b>                  | P005CEURBLKHRO         |
| <b>Exterior dimensions (H x W x D)</b> | 6.6cm x 20.3cm x 15cm  |
| <b>Colour</b>                          | Black                  |
| <b>Description</b>                     | Retail Boxed Packaging |
| <b>Master Carton Qty</b>               | 3                      |



---

## Master Lock Europe S.A.S.

10 avenue de l'arche - Le Colisée Gardens, bâtiment A - 92 400 Courbevoie - La Défense - France  
O:+33-1-41437200 | F:+33-1-41437204  
[www.masterlock.eu](http://www.masterlock.eu)