



Model No. 1690MDRED

Built-in combination lock with red metal dial for single point wrap-around-latch™ lockers

Best Used For:



School, Employee, & Athletic Lockers

Overview & Features

Product Features

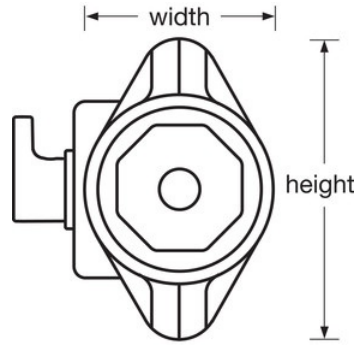
- Designed for single point, 1690/rotating latch lockers
- Automatic deadbolt locking
- U.S. Patent No. 7,984,630 and other U.S. and foreign patents-pending
- Blue dial enhances school spirit, complements décor. Also available in Red, Green, Purple and Black
- Metal dial provides increased strength and security
- Secure, easy to dial 3-digit combination
- Longer useful life with 5 different pre-set combinations; easily changed to maintain security
- End user registration and control charts provided to secure and simplify administration
- Extension kit available for doors with a thickness of 17mm to 19mm

Product Details

The Master Lock No. 1690MDRED Built-In Combination Lock is designed for single point Wrap Around Latch™ lockers and is intended to tolerate locker misalignment making installation easier. New stylish octagonal dial with larger dial numbers provides easy grip and standard key control, used for combination changes, allows quick supervisory access. Five different pre-set combinations provide longer, useful life in your facility. Customization options are available along with ADA compliant models.

Product Specifications

Product Number	1690MDRED
Body Width	47mm
Colour	Red
Description	Control Key, Commercial Boxed Packaging
Master Carton Qty	50



Master Lock Europe S.A.S.

10 avenue de l'arche - Le Colisée Gardens, bâtiment A - 92 400 Courbevoie - La Défense - France
O:+33-1-41437200 | F:+33-1-41437204
www.masterlock.eu