



Model No. CB-12ML

Medium cash box

**Best Used For:**



Money



## Overview & Features

### Product Features

- Solid steel construction
- Key lock - includes 2 keys
- Removable tray for bills and coins with 8 compartments
- Carrying handle

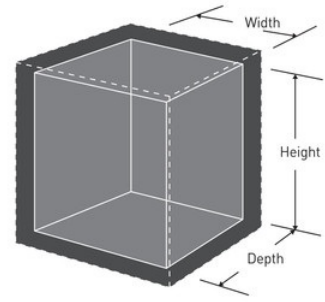
### Product Details

The Master Lock No. CB-12ML Medium Cash Box is ideal for managing bills and coins. The key lock offers you more privacy and protection. The removable tray helps you organize the content easily and the built-in carrying handle make it easy to transport.

---

# Product Specifications

<b>Product Number</b>	CB-12ML
<b>Exterior dimensions (H x W x D)</b>	9,3cm x 30cm x 23,5cm
<b>Interior dimensions (H x W x D)</b>	8,7cm x 29,7cm x 22,9cm
<b>Interior Volume</b>	5,91L
<b>Weight W/o Packaging</b>	2,1kg
<b>Colour</b>	Black
<b>Description</b>	Retail Boxed Packaging
<b>Master Carton Qty</b>	3



---

## Master Lock Europe S.A.S.

10 avenue de l'arche - Le Colisée Gardens, bâtiment A - 92 400 Courbevoie - La Défense - France  
O:+33-1-41437200 | F:+33-1-41437204  
[www.masterlock.eu](http://www.masterlock.eu)