



Model No. CHW30300EURHRO

Large security chest



Best Used For:



A4 Paper Documents



Fire



Flood



Pictures



Small Electronics



Storage Devices,
USB Flash Drives

Overview & Features

Product Features

- Fire and water resistant construction
- UL/ETL verified 30 minutes fire protection for documents, official papers, as well as digital items (CD, USB sticks) up to 843°C
- ETL verified for water submersion to protect documents and other valuable items from flood damage
- Programmable digital combination: 1 resettable combination + 1 Master combination (non programmable)
- Digital lock keeps documents and valuables away from prying eyes and prevents the lid from opening in the event of a fire
- Fits A4 documents

Certifications

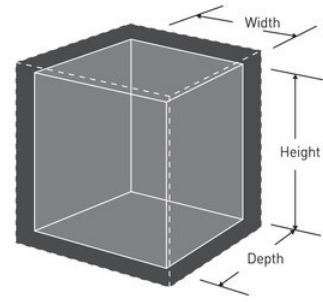


Product Details

The Master Lock No. CHW30300EURHRO Large Digital Security Chest protects your family's most important paper documents (fits A4 paper size), media, and valuables from fire and flood damage.

Product Specifications

Product Number	CHW30300EURHRO
Exterior dimensions (H x W x D)	19,3cm x 41,9cm x 37,5cm
Interior dimensions (H x W x D)	13,6cm x 32,1cm x 23,2cm
Interior Volume	10L
Weight W/o Packaging	10,9kg
Colour	Charcoal Grey
Batteries	Requires 1 9V battery (not included)
Description	Retail Boxed Packaging
Master Carton Qty	1



Master Lock Europe S.A.S.

10 avenue de l'arche - Le Colisée Gardens, bâtiment A - 92 400 Courbevoie - La Défense - France
O:+33-1-41437200 | F:+33-1-41437204
www.masterlock.eu