



Model No. FHW40300EURHRO

Large security chest



Best Used For:



A4 Paper Documents



Fire



Flood



Pictures



Small Electronics



Storage Devices,
USB Flash Drives

Overview & Features

Product Features

- Fire and water resistant construction
- UL/ETL verified 30 minutes fire protection for documents, official papers, as well as digital items (CD, USB sticks) up to 843°C
- ETL verified for water submersion to protect documents and other valuable items from flood damage
- Programmable digital combination: 1 resettable combination + 1 Master combination (non programmable)
- Digital lock keeps documents and valuables away from prying eyes and prevents the lid from opening in the event of a fire
- Fits A4 documents

Certifications

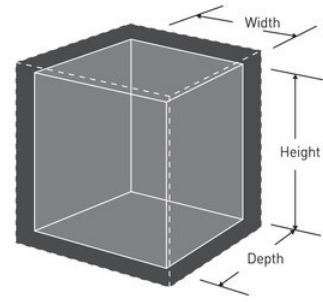


Product Details

The Master Lock No. FHW40300EURHRO Large Digital Security Chest protects your family's most important paper (fits A4 paper size), media, and valuables from fire and flood damage.

Product Specifications

Product Number	FHW40300EURHRO
Exterior dimensions (H x W x D)	35,9cm x 42,1cm x 35,1cm
Interior dimensions (H x W x D)	29,5cm x 30,5cm x 20,6cm
Interior Volume	18,5L
Weight W/o Packaging	19,5kg
Colour	Charcoal Grey
Batteries	Requires 1 9V battery (not included)
Description	Retail Boxed Packaging
Master Carton Qty	1



Master Lock Europe S.A.S.

10 avenue de l'arche - Le Colisée Gardens, bâtiment A - 92 400 Courbevoie - La Défense - France
O:+33-1-41437200 | F:+33-1-41437204
www.masterlock.eu