



Model No. L1200

Small security chest



Best Used For:



Cheque Books



Fire



Pictures



Small Electronics



Storage Devices,
USB Flash Drives

Overview & Features

Product Features

- Fire resistant construction
- UL/ETL verified 30 minutes fire protection for documents, official papers, as well as digital items (CD, USB sticks) up to 843°C
- Privacy key lock keeps documents and valuables away from prying eyes and prevents the lid from opening in the event of a fire
- Carrying handle

Certifications

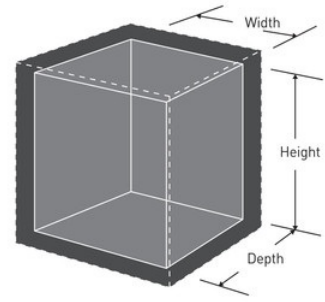


Product Details

The Master Lock No. L1200 Small Security Chest is compact and versatile and protects your family's most important paper documents, media, and valuables from fire damage. The integrated handle makes the chest easy to carry.

Product Specifications

Product Number	L1200
Exterior dimensions (H x W x D)	15,6cm x 36,2cm x 28,4cm
Interior dimensions (H x W x D)	8,9cm x 30,5cm x 19,1cm
Interior Volume	5L
Weight W/o Packaging	6kg
Colour	Black
Description	Retail Boxed Packaging
Master Carton Qty	1



Master Lock Europe S.A.S.

10 avenue de l'arche - Le Colisée Gardens, bâtiment A - 92 400 Courbevoie - La Défense - France
O:+33-1-41437200 | F:+33-1-41437204
www.masterlock.eu