



Model No. LFW205TWC  
XX-Large security digital alarm safe

**Best Used For:**



A4 Paper Documents



Fire



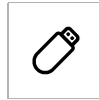
Flood



Jewels



Laptop Computers



Storage Devices,  
USB Flash Drives

## Overview & Features

## Product Features

- Steel construction with fire and water protection
- 6 large, live locking bolts of 2,5cm diameter and pry resistant hinge bar for a higher level of resistance.
- Loud audible alarm sounds when there is an attempt to move or force open the safe
- UL/ETL verified 60 minutes fire protection for documents, official papers, as well as digital items (CD, USB sticks) up to 927°C
- ETL verified water protection up to 20cm for 24 hours to protect documents and other valuable items from flood damage
- ETL verified to withstand a 4,5-meter drop during a fire and stay closed
- Programmable digital combination with touchscreen for an easy use even in dark places: 2 resettable combinations + 1 Master combination (non programmable)
- Interior light, deep tray, adjustable shelf and built-in storage on the door
- Bolt down hardware included

## Certifications

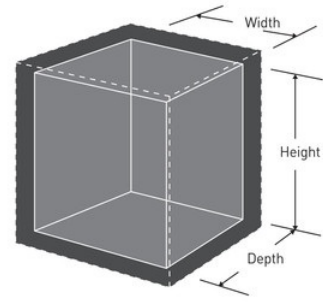


## Product Details

The Master Lock No. LFW205TWC XX-Large Security Digital Alarm Safe is designed to protect documents, digital media and other valuables from fire, water, and theft. Equipped with touch keypad and a loud audible alarm, this safe provides modern advancements to protect against theft. 60% bigger bolts than traditional safes and pry-resistant hinge bar provide additional security against unauthorized access.

# Product Specifications

<b>Product Number</b>	LFW205TWC
<b>Exterior dimensions (H x W x D)</b>	60,3cm x 47,2cm x 49,1cm
<b>Interior dimensions (H x W x D)</b>	49,8cm x 37,6cm x 30,2cm
<b>Interior Volume</b>	56,5L
<b>Weight W/o Packaging</b>	56,6kg
<b>Colour</b>	Black/Grey Medium
<b>Batteries</b>	Requires 4 AAA batteries (not included)
<b>Description</b>	Retail Boxed Packaging
<b>Master Carton Qty</b>	1



---

## Master Lock Europe S.A.S.

10 avenue de l'arche - Le Colisée Gardens, bâtiment A - 92 400 Courbevoie - La Défense - France  
O:+33-1-41437200 | F:+33-1-41437204  
[www.masterlock.eu](http://www.masterlock.eu)