



Model No. LX110BEURHRO

Large biometric security safe



#### Best Used For:



A4 Paper Documents



Cheque Books



Laptop Computers



Passports



Small Electronics

## Overview & Features

## Product Features

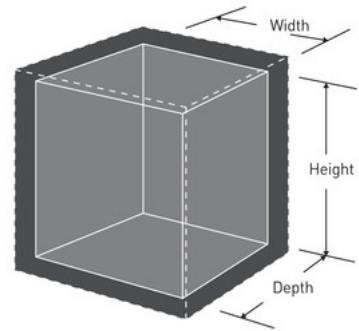
- Solid steel construction
- 2 steel live-locking bolts and concealed hinge for more protection against attacks and prying attempts
- Biometric Lock (stores up to 30 fingerprints) with override key - includes 2 keys
- Carpeted floor
- Interior light
- Bolt down hardware included

## Product Details

The Master Lock Large Biometric Security Safe is ideal for protecting precious valuables and electronics against theft. The biometric lock allows you to store up to 30 fingerprints, so that no memorisation is required. The battery jump kit and the override key make sure you can always access your safe, even in the case of flat batteries. The carpeted floor keeps the content protected from scratches during storage.

## Product Specifications

<b>Product Number</b>	LX110BEURHRO
<b>Exterior dimensions (H x W x D)</b>	19,5cm x 43cm x 37cm
<b>Interior dimensions (H x W x D)</b>	19,2cm x 42,7cm x 31cm
<b>Interior Volume</b>	25,4L
<b>Weight W/o Packaging</b>	10,6kg
<b>Colour</b>	Black
<b>Batteries</b>	Requires 4 AA batteries (not included)
<b>Description</b>	Retail Boxed Packaging
<b>Master Carton Qty</b>	1



---

### Master Lock Europe S.A.S.

10 avenue de l'arche - Le Colisée Gardens, bâtiment A - 92 400 Courbevoie - La Défense - France  
O:+33-1-41437200 | F:+33-1-41437204  
www.masterlock.eu