



Model No. P008EML

Small digital combination lock box



Best Used For:



Cheque Books



Passports



Small Electronics

Overview & Features

Product Features

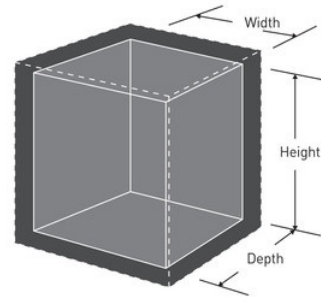
- Steel construction
- Steel tethering cable to secure the lock box to a ground object
- Digital combination with delay mode after multiple wrong combination entry attempts
- Digital combination with override key: 2 resettable combinations - includes 2 keys
- Bottom of the box covered with foam
- Cable: 88cm x ø 4mm
- Carrying handle

Product Details

The Master Lock No. P008EML Small Digital Combination Lock Box is the perfect solution for “on-the-go” security. Ideal for cars, trucks, dorms, campers and boats, or trips to the beach. It is designed to secure cell phones, wallets, MP3 players, GPS units and other compact but expensive to replace items that are especially vulnerable to theft. Bring it. Lock it. Leave it.

Product Specifications

Product Number	P008EML
Cable/Chain Length	88cm
Outside Diameter of Cable/Chain	4mm
Exterior dimensions (H x W x D)	7,4cm x 25,4cm x 20,1cm
Interior dimensions (H x W x D)	4,8cm x 24,9cm x 18cm
Interior Volume	2,17L
Weight W/o Packaging	1,5kg
Colour	Black/Grey
Batteries	Requires 4 AA batteries (not included)
Description	Retail Boxed Packaging
Master Carton Qty	2



Master Lock Europe S.A.S.

10 avenue de l'arche - Le Colisée Gardens, bâtiment A - 92 400 Courbevoie - La Défense - France
O:+33-1-41437200 | F:+33-1-41437204
www.masterlock.eu