

Model No. PP1KML

Small compact safe with cable



Best Used For:



Cheque Books



Passports



Small Electronics

Overview & Features

Product Features

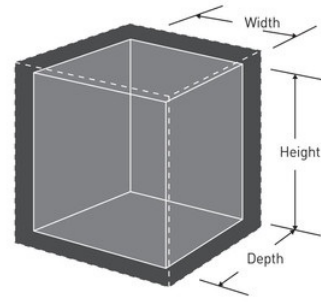
- Solid steel construction
- Invisible hinges for a higher level of resistance and a protection against prying attempts
- Steel tethering cable to secure the safe to a ground object
- Key lock – includes 2 keys
- Bottom of the box covered with foam
- Cable: 75cm x ø 6mm

Product Details

The Master Lock No. PP1KML Small Compact Safe with cable is ideal for protecting small but precious valuables and electronics. The key lock offers a quick, on-the-go security. The built-in carrying handle make it easy to transport and the cable allows to secure the safe to a ground object for added security.

Product Specifications

Product Number	PP1KML
Cable/Chain Length	75cm
Outside Diameter of Cable/Chain	6mm
Exterior dimensions (H x W x D)	8,3cm x 28,8cm x 25,5cm
Interior dimensions (H x W x D)	7,5cm x 24,8cm x 18,6cm
Interior Volume	3,45L
Weight W/o Packaging	2,9kg
Colour	Black
Description	Retail Boxed Packaging
Master Carton Qty	1



Master Lock Europe S.A.S.

10 avenue de l'arche - Le Colisée Gardens, bâtiment A - 92 400 Courbevoie - La Défense - France
O:+33-1-41437200 | F:+33-1-41437204
www.masterlock.eu